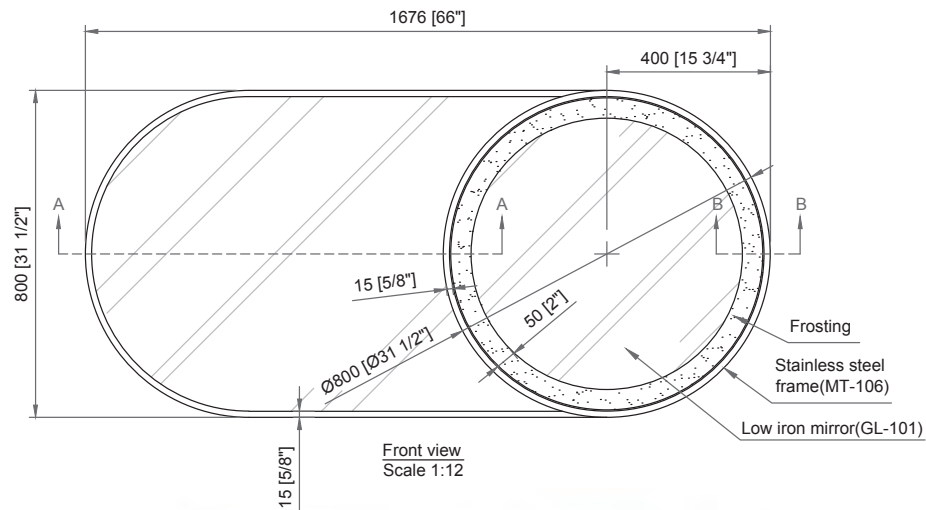


Ace

LED MIRROR

FEATURES

- Vinyl Safety Backing
- Decorative Metal frame
- Forward facing task lighting
- ETL-Listed to UL STD .962 for USA and CSA Std. C22.2 for Canada
- Finger Print Protection
- 5-year limited warranty on mirror plate
- 5-year warranty on LED driver
- 5-year warranty on Premium LED strips
- Easy adjustable mounting system for installation
- 120v~277v non-dimmable driver standard
- Can be provided with cord and 90-degree flat plug, or ready for hardwire
- No minimum quantities
- Usable in damp environments



LIGHTING SPECIFICATIONS

- Standard CCT: 3,000 Kelvin (custom CCT available)
- Natural looking warm white LED color
- CRI 85+ (95+ available)
- Gen 3 LED strips are 750 lumens per foot
- Premium LED strips rated for 69,000 hours



5-Year Limited Warranty

AVAILABLE OPTIONS

- 0-10v dimming
- TRIAC dimming
- Title 24 compliance available
- Custom sizing
- Night Light
- Defogger
- Touch button dimmers on face of the mirror (no dimmable driver or dimming wall switch needed)
- Bluetooth Speaker
- LED Digital clock



Ace LED Mirror